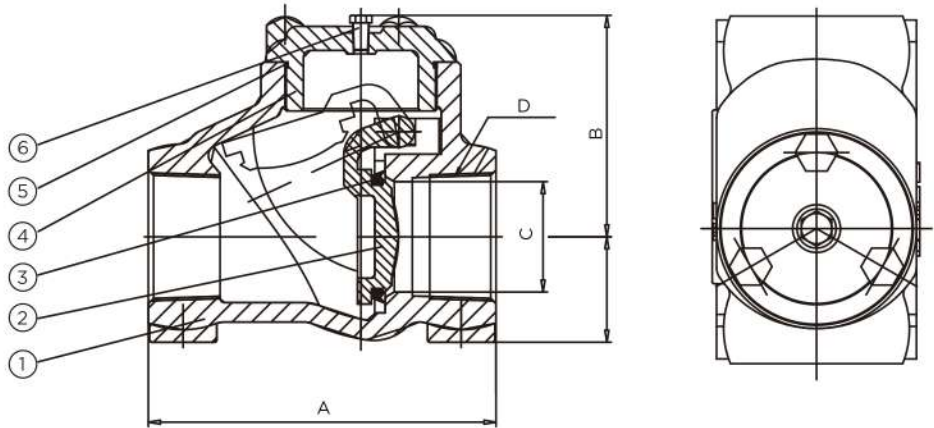


2000 PSI DUCTILE IRON BODY FULL PORT CHECK VALVE



FEATURES

SIZE:	1" - 4"
PORT:	FULL
PRESSURE:	2000 WOG
TEMPERATURE:	0 TO 400° F
CONNECTION:	FEMALE NPT

TEST SPECIFICATION

TEST ACCORDANCE TO PER	API 598
NOMINAL PRESSURE:	2000 PSI
SHELL TEST (WATER):	3000 PSI
SEAT TEST (WATER):	2200 PSI
AIR TEST:	116 PSI

TECHNICAL SPECIFICATION

NPT THREADS AS PER	ASME B1.20.1
FULL OPENING	
IN COMPLIANCE WITH	NACE MR-0175
SUITABLE FOR	WATER, OIL & GAS

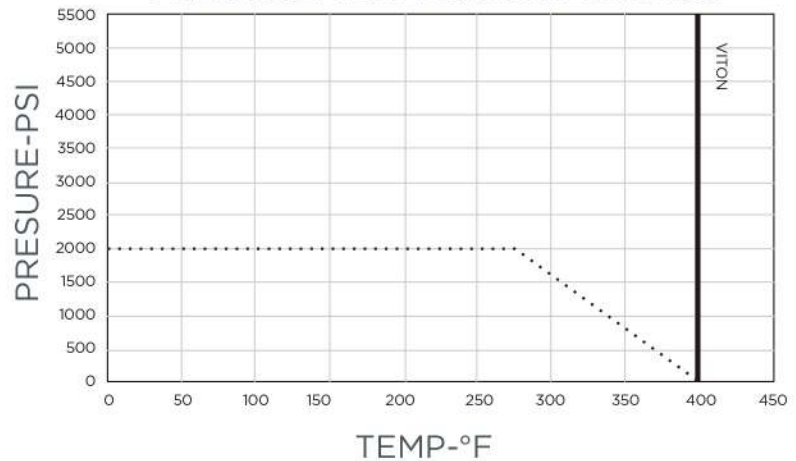
MATERIAL LIST

1	BODY	ASTM A-395 Gr. DI
2	DISC	ASTM A-351 Gr. CF8M
3	SEAL	VITON
4	BONNET	ASTM A-395 Gr. DI
5	O-RING	VITON
6	BONNET SCREW	CARBON STEEL

DIMENSIONS, WEIGHT & TORQUE

MODEL	SIZE	A	B	C	D	WEIGHT (KG)
CDT2-06	1"	4.72	3.23	1.00	11.5 NPT	2.66
CDT2-09	2"	6.30	4.09	2.00	11.5 NPT	5.51
CDT2-11	3"	8.25	5.00	3.00	8 NPT	10.21
CDT2-12	4"	10.00	8.00	4.00	8 NPT	26.24

PRESSURE TEMPERATURE RATINGS



*DIMENSIONES ARE EXPRESSED IN INCHES