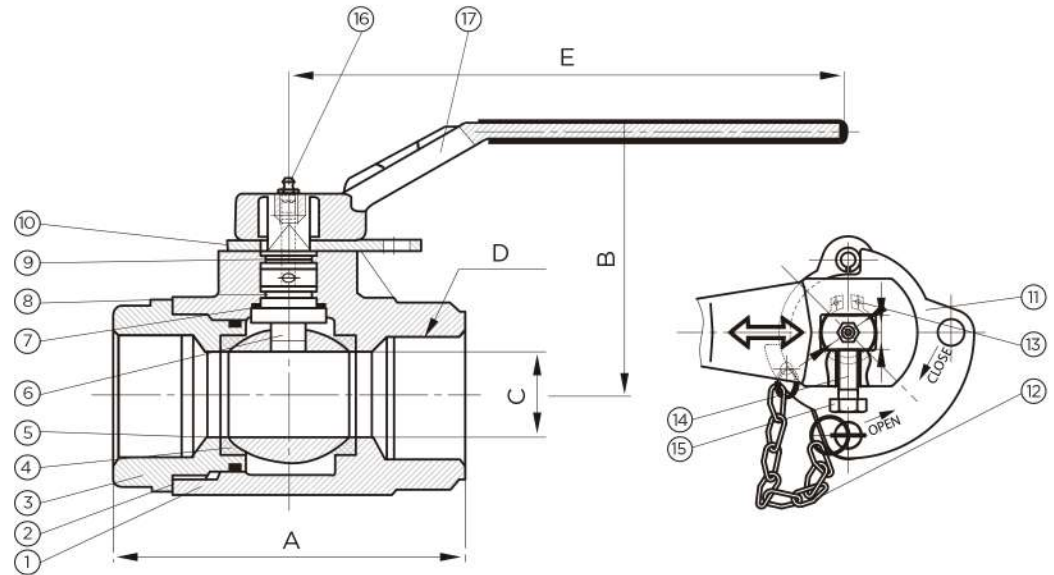


## CARBON STEEL BODY 2 PC RP BALL VALVE



### FEATURES

SIZE:	2"
PORT:	REDUCED
PRESSURE:	3000 & 5000 WOG
TEMPERATURE:	-200 TO 200° F
CONNECTION:	FEMALE NPT

### TEST SPECIFICATION

TEST ACCORDANCE TO PER	API 598
NOMINAL PRESSURE:	3000 & 5000 PSI
SHELL TEST (WATER):	4500 & 7500 PSI
SEAT TEST (WATER):	3300 & 5500 PSI
AIR TEST:	116 PSI

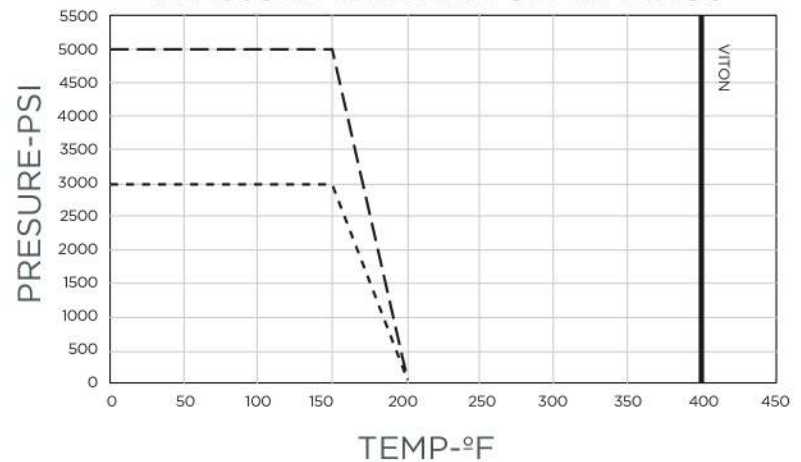
### TECHNICAL SPECIFICATION

NPT THREADS AS PER	ASME B1.20.1
BLOW-OUT-PROOF STEM DESIGN	
IN COMPLIANCE WITH	NACE MR-0175
SUITABLE FOR	WATER, OIL & GAS

### MATERIAL LIST

1	BODY	ASTM A-216 Gr. WCB
2	BODY SEAL	VITON
3	ADAPTER	ASTM A-216 Gr. WCB
4	SEAT	DELFIN
5	BALL	SS420
6	STEM	ASTM A-276 Gr. 420
7	THRUST BEARING	PTFE
8	FIRST STEM SEAL	VITON
9	SECOND STEM SEAL	VITON
10	STEM BEARING	PTFE
11	STOP PLATE	STEEL PLATE
12	PIN WITH CHAIN	STAINLESS STEEL
13	RETAINER RING	SPRING STEEL
14	STOP PIN	SPRING STEEL
15	HEXAGONAL BOLTS	CARBON STEEL
16	GREASE ZERK	CARBON STEEL
17	HANDLE	DUCTIL IRON

### PRESSURE TEMPERATURE RATINGS



### DIMENSIONS, WEIGHT & TORQUE

MODEL	SIZE	A	B	C	D	E	TORQUE (IN.LB)	WEIGHT (KG)	PRESSURE (WOG)
BCT3-09	2"	5.51	5.53	1.50	11.5 NPT	10.00	1750.00	5.52	3000
BCT5-09	2"	5.51	5.12	2.05	8 NPT	10.00	2700.00	6.45	5000

\*TORQUE IS REPRESENTED AT FULL RATED PRESSURE  
\*DIMENSIONES ARE EXPRESSED IN INCHES