



D-LINE® Products offers a great variety of ball valves including threaded and flanged going from 1000 PSI to 6000 PSI and Class 150 to Class 600, respectively. D-LINE® advantage in ball valves are the intern materials, which is conformed by stainless steel giving a great performance against corrosive fluids extending the lifetime of the valve. The QC Department ensures the valves to meet the international standards that are designed for, such as API, ASME, ANSI and others.

## APPLICATIONS

D-LINE® Ball Valves serve multi-national end users in a wide range of applications in many industries including:







- Water treatment
- Food industries
- Fiber industries
- Oil & Gas industries
- Automotive services
- Chemical & Petrochemical
- Shipbuilding industries
- Oil refinery

## DESIGN FEATURES

- Trunnion ball design
- Blow-out proof stem desing
- Face to face to per ANSI B16.10
- Flange dimensions to per ASME B16.5
- Shell wall thickness to per ASME B16.34
- Valve design to per API 6D
- Split body to per BS 5351
- Sour service to per NACE MR-0175
- Mounting pad to per ISO 5211
- **Fire tested to per API 6FA**
- **Fire safe to per API 607**
- Antistatic grounding service
- Double block and bleed
- Locking handle lever or gear operator

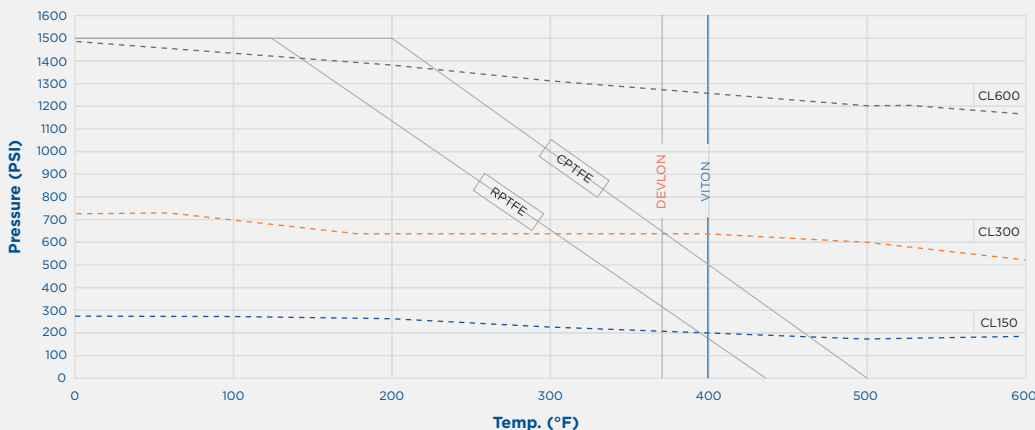
TEST SPECIFICATION			
TEST ACCORDANCE TO PER API 598			
CLASS	150	300	600
NOMINAL PRESSURE	285PSI	740PSI	1480PSI
SHELL TEST (WATER)	450PSI	1125PSI	2225PSI
SEAT TEST (WATER)	315PSI	815PSI	1630PSI
AIR TEST	80PSI	80PSI	80PSI

FEATURES	
SIZE	2" - 12"
CLASS	150/300/600
CONNECTION	FLANGED RF
TEMPERATURE	-29°C to 149°C

MARKING BODY		
5112TF	5312TF	5612TF
		
2	2	2
150	300	600
WCB	WCB	WCB
		

## PRESSURE - TEMPERATURE RATING

These ratings are conservative guide for general service. Previous experience in process or new development may permit applications above those shown.

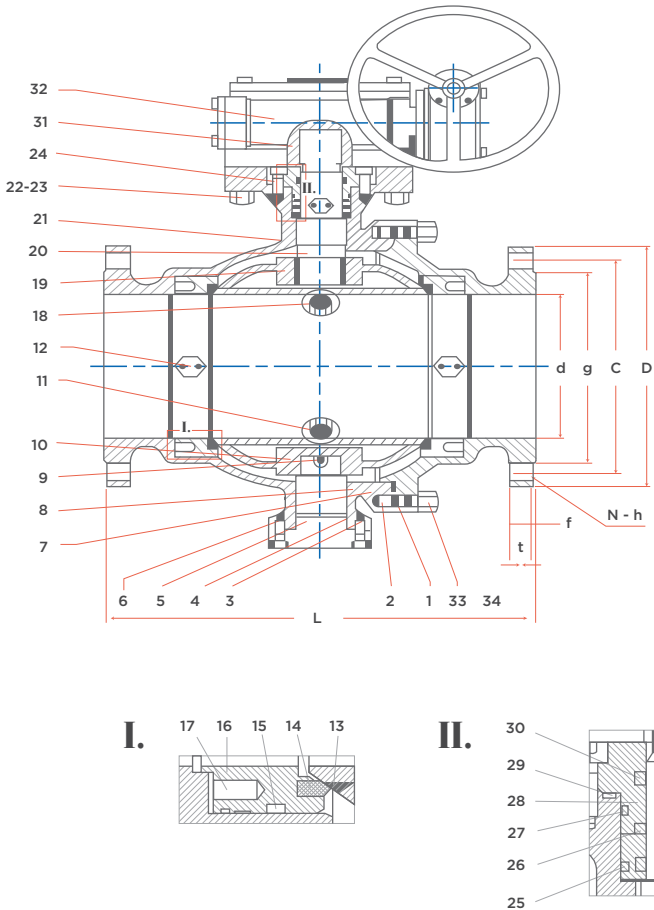


The graph lines represent the maximum pressure/temperature rating of the seat material. When selecting a seat material, the lower rating between the valve body and seat should be considered. For more information please consult factory.

Carbon Steel  
WCB  
ASME B16.34 Ratings  
Material Limits

# DIMENSIONS

## CLASS 150



VALVE MATERIAL LIST		
No.	DESCRIPTION	MATERIAL
1	BONNET	ASTM A-216 Gr. WCB
2	BODY	ASTM A-216 Gr. WCB
3	GASKET	SS304 + GRAPHITE
4	O-RING	VITON
5	LOWER COVER	ASTM A-105
6	BOLT	ASTM A-193 Gr. B7M
7	GASKET	SS304 + GRAPHITE
8	O-RING	VITON
9	ANTISTATIC	SS304
10	BEARING	SS304 + PTFE
11	DRAIN VALVE	ASTM A-105
12	INJECTION VALVE	ASTM A-105
13	BALL	ASTM A-276 Gr. 316
14	SEAT SEAL RING	PTFE + 15% GF
15	O-RING	VITON
16	SUPPORT RING	ASTM A-182 Gr. F316
17	SPRING	STAINLESS STEEL
18	VENT VALVE	ASTM A-105
19	KEY	AISI 1045
20	STEM	ASTM A-276 Gr. 316
21	BEARING	SS304 + PTFE
22	NUT	ASTM A-194 Gr. 2HM
23	BOLT	ASTM A-193 Gr. B7M
24	BOLT	ASTM A-193 Gr. B7M
25	O-RING	VITON
26	PACKING	GRAPHITE
27	O-RING	VITON
28	FRONT COVER	ASTM A-105
29	GASKET	SS304 + GRAPHITE
30	O-RING	VITON
31	KEY	AISI 1045
32	GEAR BOX	ASTM A-126 Gr. B
33	NUT	ASTM A-194 Gr. 2HM
34	BOLT	ASTM A-193 Gr. B7M

DIMENSIONS & WEIGHTS													
SIZE		L	D	C	g	d	N	h	t	f	CV	TORQUE (IN-LB)	WEIGHT (KG)
IN	MM												
12"	300	24.02	19.09	17.01	15.00	11.94	12.00	0.98	1.19	0.06	26120	12800	360.91

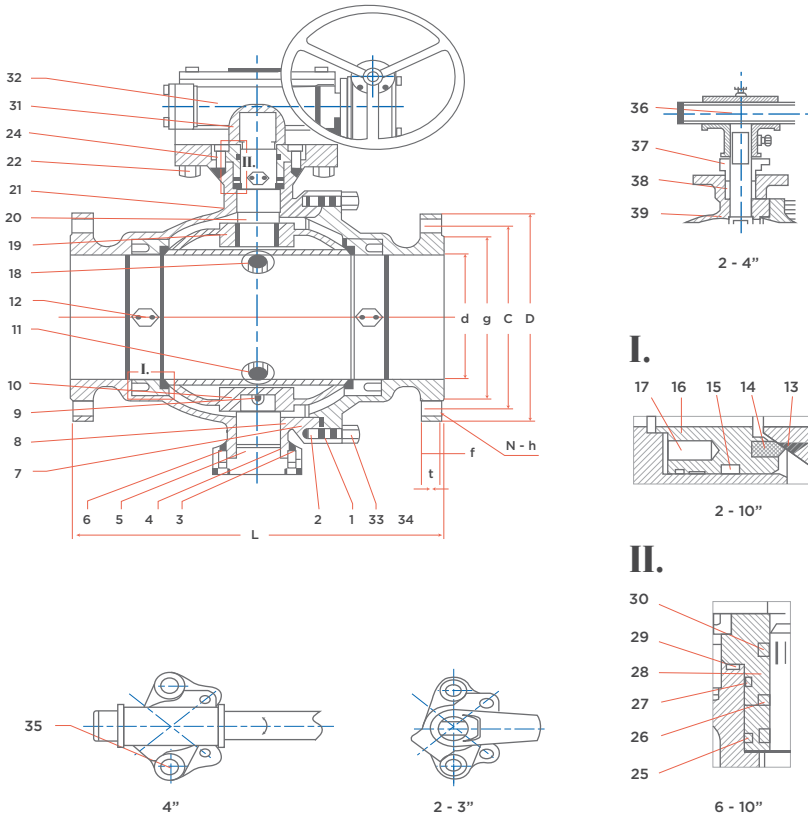
\*WEIGHT IS ESTIMATED  
 \*ALL DIMENSIONS ARE EXPRESSED IN INCHES



< Scan the QR CODE to see our available studs and gasket.

# DIMENSIONS

## CLASS 300



VALVE MATERIAL LIST		
No.	DESCRIPTION	MATERIAL
1	BONNET	ASTM A-216 Gr. WCB
2	BODY	ASTM A-216 Gr. WCB
3	GASKET	SS304 + GRAPHITE
4	O-RING	VITON
5	LOWER COVER	ASTM A-105
6	BOLT	ASTM A-193 Gr. B7M
7	GASKET	SS304 + GRAPHITE
8	O-RING	VITON
9	ANTISTATIC	SS304
10	BEARING	SS304 + PTFE
11	DRAIN VALVE	ASTM A-105
12	INJECTION VALVE	ASTM A-105
13	BALL	ASTM A-276 Gr. 316
14	SEAT SEAL RING	PTFE + 15% CF
15	O-RING	VITON
16	SUPPORT RING	ASTM A-182 Gr. F316
17	SPRING	STAINLESS STEEL
18	VENT VALVE	ASTM A-105
19	KEY	AISI 1045
20	STEM	ASTM A-276 Gr. 316
21	BEARING	SS304 + PTFE
22	NUT	ASTM A-194 Gr. 2HM
23	BOLT	ASTM A-193 Gr. B7M
24	BOLT	ASTM A-193 Gr. B7M
25	O-RING	VITON
26	PACKING	GRAPHITE
27	O-RING	VITON
28	FRONT COVER	ASTM A-105
29	GASKET	SS304 + GRAPHITE
30	O-RING	VITON
31	KEY	AISI 1045
32	GEAR BOX	ASTM A-126 Gr. B
33	NUT	ASTM A-194 Gr. 2HM
34	BOLT	ASTM A-193 Gr. B7M
35	BOLT	ASTM A-193 Gr. B7M
36	HANDLE	ASTM A-536 Gr. 65-45-12
37	GLAND	ASTM A-216 Gr. WCB
38	PACKING	GRAPHITE
39	GASKET	PTFE

DIMENSIONS & WEIGHTS													
SIZE		L	D	C	g	d	N	h	t	f	CV	TORQUE (IN-LB)	WEIGHT (KG)
IN	MM												
2"	50	8.50	6.50	5.00	3.62	1.94	8.00	0.75	0.88	0.06	420	445	15.91
3"	80	11.14	8.27	6.63	5.00	2.94	8.00	0.87	1.12	0.06	1050	975	32.27
4"	100	12.01	10.04	7.87	6.18	3.94	8.00	0.87	1.26	0.06	2000	1420	48.18
6"	150	15.87	12.52	10.63	8.50	5.94	12.00	0.87	1.46	0.06	5100	5720	130.45
8"	200	19.76	15.00	12.99	10.63	7.94	12.00	0.98	1.65	0.06	10300	10620	220.45
10"	250	22.36	17.52	15.26	12.76	9.94	12.00	1.14	1.89	0.06	16300	16550	356.82

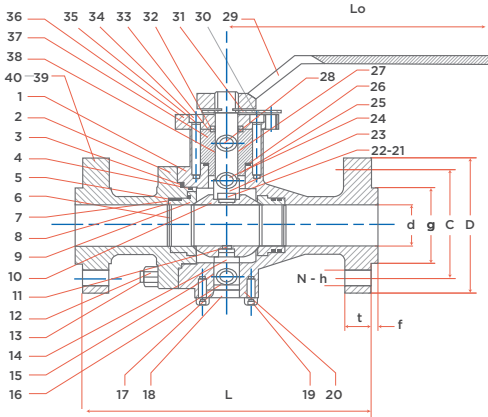
\*WEIGHT IS ESTIMATED  
\*ALL DIMENSIONS ARE EXPRESSED IN INCHES



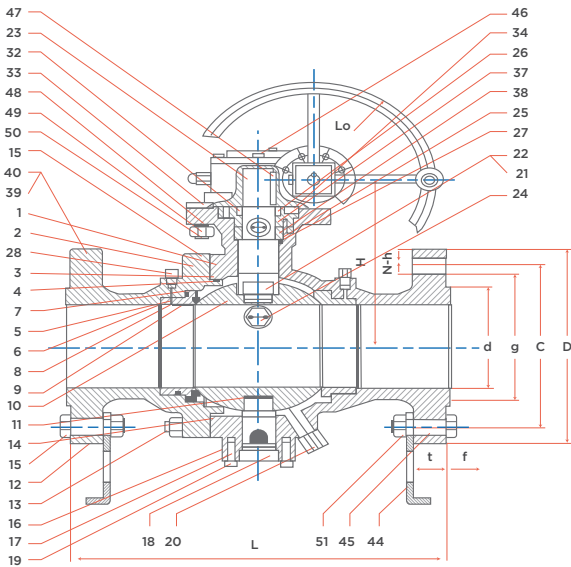
Scan the QR CODE to see our available studs and gasket.

# DIMENSIONS

## CLASS 600



2" - 3"



4" - 8"

VALVE MATERIAL LIST		
No.	DESCRIPTION	MATERIAL
1	BODY	ASTM A-216 Gr. WCB
2	ADAPTER	ASTM A-216 Gr. WCB
3	BODY GASKET	SS304 + GRAPHITE
4	BODY SEAL	HNBR-90
5	RETAINER FIRE SEAL	GRAPHITE
6	RETAINER O-RING	HNBR-90
7	SEAT SPRINGS	SS 17-7PH
8	SEAT RETAINER	ASTM A-182 Gr. F316
9	SEAT INSERT	PTFE + 25% CF
10	BALL	ASTM A-182 Gr. F316
11	THRUST WASHER	PTFE + 25% CF
12	BODY NUT	ASTM A-194 Gr. 2HM
13	BODY STUD	ASTM A-193 Gr. B7M
14	LOWER TRUNNION	ASTM A-276 Gr. 316
15	TRUNNION BEARING	SS304 + PTFE
16	COVER O-RING	HNBR-90
17	BOTTOM COVER GASKET	SS304 + GRAPHITE
18	BOTTOM COVER	ASTM A-105
19	BOTTOM COVER CAP SCREW	ASTM A-193 Gr. B7M
20	DRAIN FITTING	ASTM A-105
21	ANTISTATIC SPRING	SS304
22	ANTISTATIC BALL	SS304
23	STEM	ASTM A-276 Gr. 316
24	BLEED FITTING	ASTM A-105
25	TOP COVER O-RING	HNBR-90
26	TOP COVER GASKET	SS304 + GRAPHITE
27	THRUST WASHER	PTFE + 25% CF
28	INJECTION FITTING	ASTM A-105
29	HANDLE	ASTM A-536 Gr. 65-45-12
30	STOP PLATE	CARBOL STEEL + Ni
31	SNAP RING	SPRING STEEL
32	PACKING FOLLOWER	ASTM A-276 Gr. 420
33	PACKING	GRAPHITE
34	GLAND BOLT	ASTM A-193 Gr. B7M
35	SPRING WASHER	SPRING STEEL
36	MOUNTING FLANGE	ASTM A-105
37	TOP COVER	ASTM A-105
38	STEM O-RING	HNBR-90
39	RIVET	SS304
40	NAMEPLATE	SS304
41	HANDLE SCREW	CARBON STEEL + Zn
42	STOP SCREW	CARBON STEEL
43	ADJUSTING GASKET	PTFE
44	BASE FRAME	ASTM A-126 Gr. B
45	BASE BOLT	CARBON STEEL
46	GEAR OPERATOR	ASTM A-126 Gr. B
47	STEM KEY	CARBON STEEL
48	SPRING WASHER	SPRING STEEL
49	NUT	ASTM A-194 Gr. 2HM
50	STUD	ASTM A-193 Gr. B7M
51	BASE NUT	CARBON STEEL

DIMENSIONS & WEIGHTS																			
SIZE		L	D	C	g	d	N	h	t	f	M-R	T	G	F	K	Lo	CV	TORQUE (IN-LB)	WEIGHT (KG)
IN	MM																		
2"	50	11.50	6.50	5.00	3.63	1.94	8.00	0.75	1.00	0.25	N/A	N/A	0.87	0.55	1.08	12.00	360	1130	24.55
3"	80	14.00	8.25	6.62	5.00	2.94	8.00	0.88	1.25	0.25	N/A	N/A	1.24	0.87	1.36	20.00	925	2060	47.27
4"	100	17.00	10.75	8.50	6.18	3.94	8.00	1.00	1.50	0.25	4-0.71	5.51	1.50	0.47	2.14	12.60	1770	2640	109.55
6"	150	22.00	14.00	11.50	8.50	5.94	12.00	1.14	1.88	0.25	4-0.91	6.50	1.77	0.55	2.70	18.00	4575	7970	218.64
8"	200	26.00	16.50	13.75	10.63	7.94	12.00	1.25	2.20	0.25	8-0.71	8.86	2.16	0.63	2.87	18.00	8950	15720	342.27

\*WEIGHT IS ESTIMATED

\*ALL DIMENSIONS ARE EXPRESSED IN INCHES



Scan the QR CODE to see our available studs and gasket.