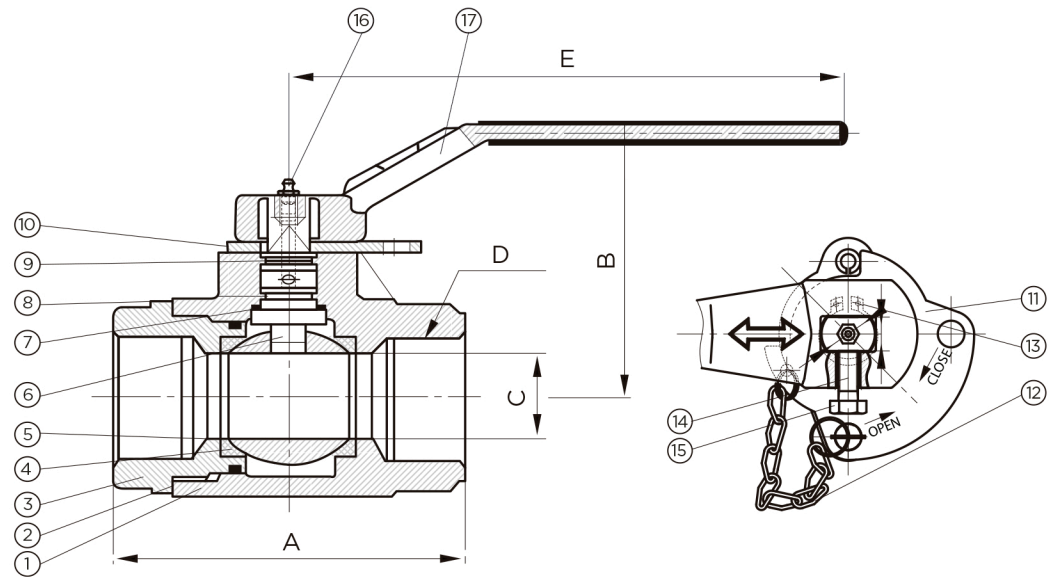


CARBON STEEL BODY 2 PC RP BALL VALVE



FEATURES

| | |
|--------------|-----------------|
| SIZE: | 2" |
| PORT: | REDUCED |
| PRESSURE: | 3000 & 5000 WOG |
| TEMPERATURE: | -200 TO 200° F |
| CONNECTION: | FEMALE NPT |

TEST SPECIFICATION

| | |
|------------------------|-----------------|
| TEST ACCORDANCE TO PER | API 598 |
| NOMINAL PRESSURE: | 3000 & 5000 PSI |
| SHELL TEST (WATER): | 4500 & 7500 PSI |
| SEAT TEST (WATER): | 3300 & 5500 PSI |
| AIR TEST: | 116 PSI |

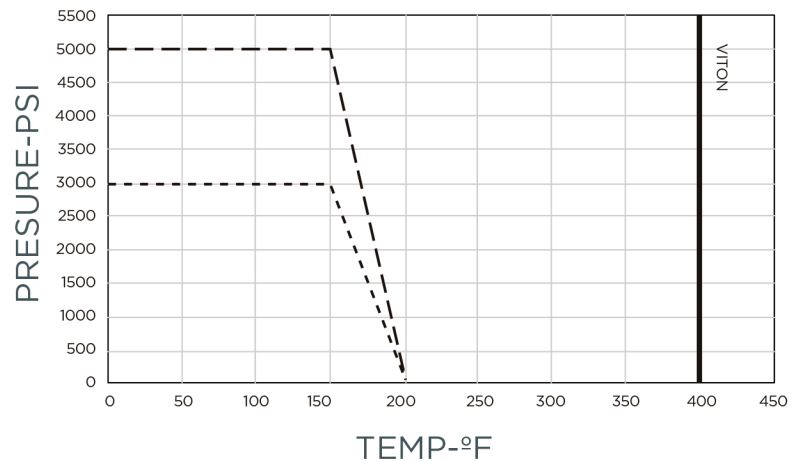
TECHNICAL SPECIFICATION

| | |
|----------------------------|------------------|
| NPT THREADS AS PER | ASME B1.20.1 |
| BLOW-OUT-PROOF STEM DESIGN | |
| IN COMPLIANCE WITH | NACE MR-0175 |
| SUITABLE FOR | WATER, OIL & GAS |

MATERIAL LIST

| | | |
|----|------------------|--------------------|
| 1 | BODY | ASTM A-216 Gr. WCB |
| 2 | BODY SEAL | VITON |
| 3 | ADAPTER | ASTM A-216 Gr. WCB |
| 4 | SEAT | DELTRIN |
| 5 | BALL | SS420 |
| 6 | STEM | ASTM A-276 Gr. 420 |
| 7 | THRUST BEARING | PTFE |
| 8 | FIRST STEM SEAL | VITON |
| 9 | SECOND STEM SEAL | VITON |
| 10 | STEM BEARING | PTFE |
| 11 | STOP PLATE | STEEL PLATE |
| 12 | PIN WITH CHAIN | STAINLESS STEEL |
| 13 | RETAINER RING | SPRING STEEL |
| 14 | STOP PIN | SPRING STEEL |
| 15 | HEXAGONAL BOLTS | CARBON STEEL |
| 16 | GREASE ZERK | CARBON STEEL |
| 17 | HANDLE | DUCTIL IRON |

PRESSURE TEMPERATURE RATINGS



DIMENSIONS, WEIGHT & TORQUE

| MODEL | SIZE | A | B | C | D | E | TORQUE (IN.LB) | WEIGHT (KG) | PRESSURE (WOG) |
|---------|------|------|------|------|----------|-------|----------------|-------------|----------------|
| BCT3-09 | 2" | 5.51 | 5.53 | 1.50 | 11.5 NPT | 10.00 | 1750.00 | 5.52 | 3000 |
| BCT5-09 | 2" | 5.51 | 5.12 | 2.05 | 8 NPT | 10.00 | 2700.00 | 6.45 | 5000 |

*TORQUE IS REPRESENTED AT FULL RATED PRESSURE
*DIMENSIONES ARE EXPRESSED IN INCHES