



Gray cast iron is the most versatile of all foundry metals. Its high carbon percentage makes foundry fusion and manufacturing of machinery easier. This grade of iron has a high resistance and it obtains its maximum hardness as a result of a refined control of the chemical composition, size, and type of the graphite flake. D-LINE® cast iron valves are designed under MSS-SP, ASME, ANSI standards to meet the quality required by the market.

APPLICATIONS

D-LINE® Globe Valves serve multi-national end users in a wide range of applications in many industries including:




- Water Treatment
- Food industries
- Waste treatment
- Oil & Gas industries
- Steam services

DESIGN FEATURES

- Face to face to per ANSI B16.10
- Flange dimensions to per ASME B16.1
- Shell wall thickness to per ASME B16.34
- Valve design to per MSS SP-70
- Bronze seat
- Steam service working pressure: 125 PSI
- WOG service working pressure: 200 PSI

TEST SPECIFICATION	
TEST ACCORDANCE TO PER API 598	
CLASS	125
NOMINAL PRESSURE	125 PSI
SHELL TEST (WATER)	350 PSI
SEAT TEST (WATER)	200 PSI
AIR TEST	87 PSI

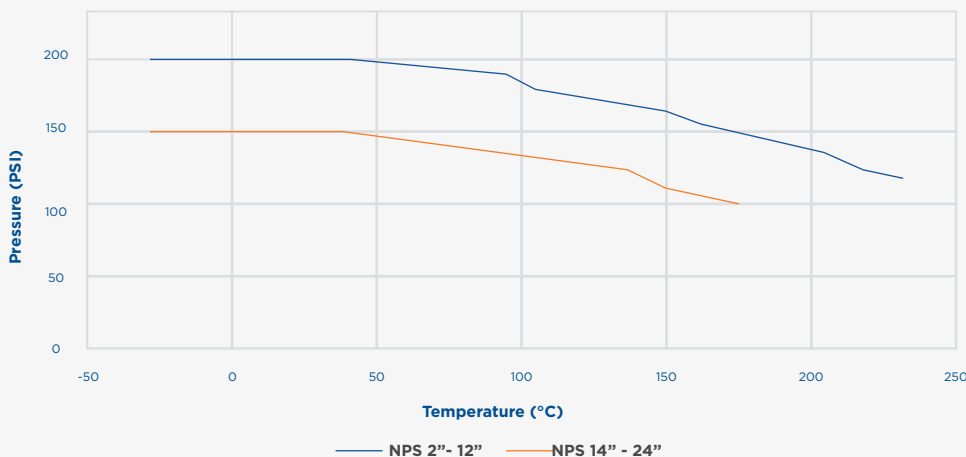
FEATURES	
SIZE	2" - 8"
CLASS	125
CONNECTION	FF
TEMPERATURE	-29°C TO 232°C

MARKING BODY	
FRONT	BACK
3	CL.B
	
125	

PRESSURE - TEMPERATURE RATING

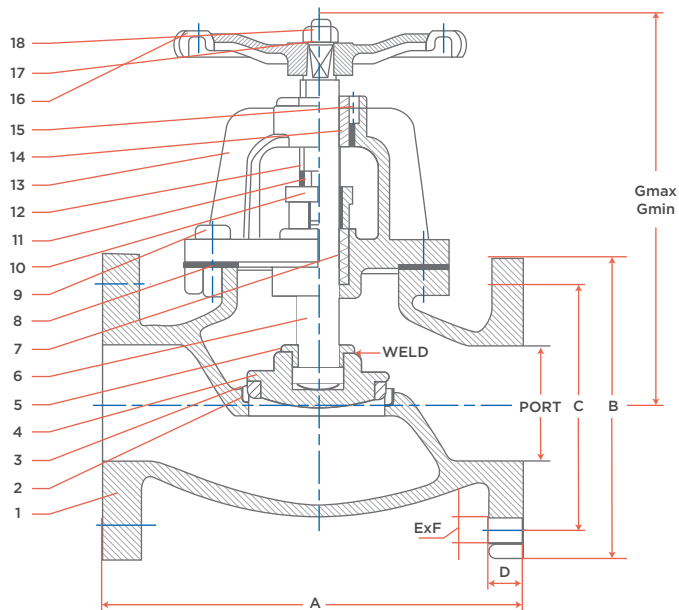
These are conservative guide for general service.

Previous experience in process or new development may permit applications above those shown.



Cast Iron ASTM A-126 Gr. B
MSS SP-70 Ratings
Material Limits

DIMENSIONS



VALVE MATERIAL LIST

No.	DESCRIPTION	MATERIAL
1	BODY	ASTM A-126 Gr. B
2	BODY RING	ASTM B62
3	RING	ASTM B62
4	DISC	ASTM A-126 Gr. B
5	DISC LOCK NUT	ASTM B16
6	STEM	ASTM A-276 Gr. 420
7	STEM PACKING	FLEXIBLE GRAPHITE
8	BODY GASKET	FLEXIBLE GRAPHITE
9	BODY BOLTS	ASTM B16
10	GLAND	ASTM A-536 Gr. 65-45-12
11	NUT	ASTM A-563 Gr. A
12	BOLT	ASTM A-307 Gr. B
13	BONNET	ASTM A-126 Gr. B
14	STEM NUT	ASTM B16
15	BONNET LOCK NUT	ASTM A-126 Gr. B
16	HANDWHEEL	ASTM A-126 Gr. B
17	WASHERS	ASTM A-307 Gr. B
18	NUT	ASTM A-307 Gr. B

VALVE DIMENSIONS & WEIGHTS

MODEL	SIZE		PORT	A	B	C	D	E	F	Gmin	Gmax	WEIGHT (KG)
344BR-09	2"	DN50	2.00	8.00	6.00	4.75	0.63	4.00	0.75	9.10	9.80	12.40
344BR-10	2 1/2"	DN65	2.50	8.50	7.00	5.50	0.69	4.00	0.75	9.52	10.34	16.05
344BR-11	3"	DN80	3.00	9.50	7.50	6.00	0.75	4.00	0.75	10.19	11.39	20.55
344BR-12	4"	DN100	4.00	11.50	9.00	7.50	0.94	8.00	0.75	12.24	13.84	34.15
344BR-13	5"	DN125	5.00	13.00	10.00	8.50	0.94	8.00	0.87	13.80	15.95	47.15
344BR-14	6"	DN150	6.00	14.00	11.00	9.50	1.00	8.00	0.87	15.54	18.21	64.75
344BR-15	8"	DN200	8.00	19.50	13.50	11.75	1.12	8.00	0.87	18.17	21.83	112.80

*WEIGHT IS ESTIMATED

*ALL DIMENSIONS ARE EXPRESSED IN INCHES



< Scan the QR CODE to see our available studs.