



D-LINE® Products offers a great variety of ball valves including threaded and flanged going from 1000 PSI to 6000 PSI and Class 150 to Class 600, respectively. D-LINE® advantage in ball valves are the intern materials, which is conformed by stainless steel giving a great performance against corrosive fluids extending the lifetime of the valve. The QC Department ensures the valves to meet the international standards that are designed for, such as API, ASME, ANSI and others.

## APPLICATIONS

D-LINE® Ball Valves serve multi-national end users in a wide range of applications in many industries including:

- Water treatment
- Food industries
- Fiber industries
- Oil & Gas industries
- Automotive services
- Chemical & Petrochemical
- Shipbuilding industries
- Oil refinery

## DESIGN FEATURES

- Floating ball design
- Blow-out proof stem desing
- Face to face to per ANSI B16.10
- Flange dimensions to per ASME B16.5
- Shell wall thickness to per ASME B16.34
- Valve design to per API 6D
- Split body to per BS 5351
- Sour service to per NACE MR-0175
- Mounting pad to per ISO 5211
- **Fire tested to per API 6FA**
- **Fire safe to per API 607**
- Antistatic grounding service
- Gear operator from 8" and upper

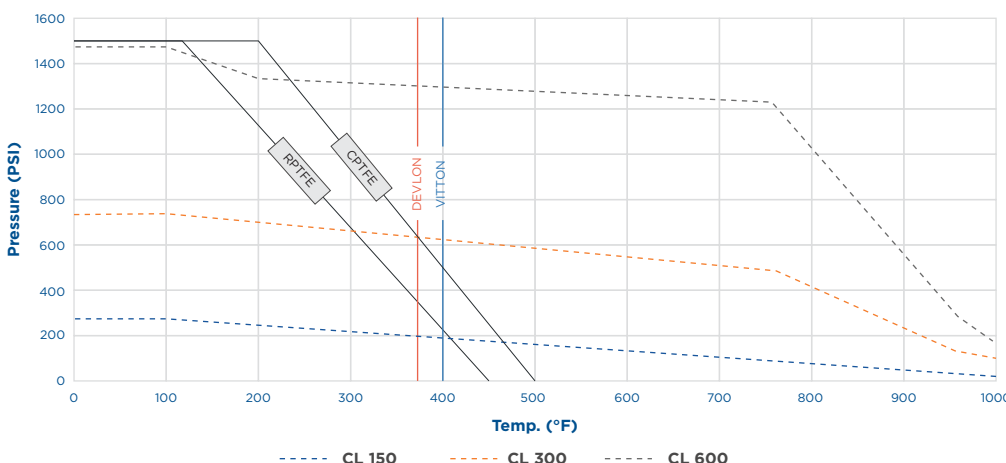
TEST SPECIFICATION			
TEST ACCORDANCE TO PER API 598			
CLASS	150	300	600
NOMINAL PRESSURE	285PSI	740PSI	1440PSI
SHELL TEST (WATER)	450PSI	1125PSI	2225PSI
SEAT TEST (WATER)	315PSI	815PSI	1630PSI
AIR TEST	80PSI	80PSI	80PSI

FEATURES	
SIZE	1" - 10"
CLASS	150/300/600
CONNECTION	FLANGED RF
TEMPERATURE	-29°C to 149°C

MARKING BODY		
5112FF	5312FF	5612FF
2	2	2
150	300	600
WCB	WCB	WCB

## PRESSURE - TEMPERATURE RATING

These ratings are conservative guide for general service. Previous experience in process or new development may permit applications above those shown.

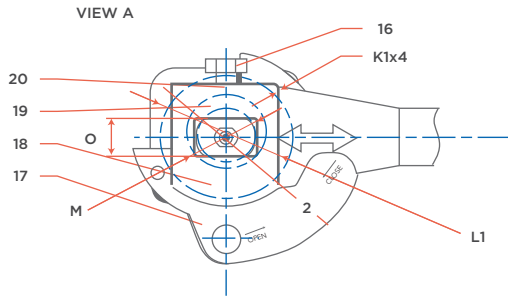
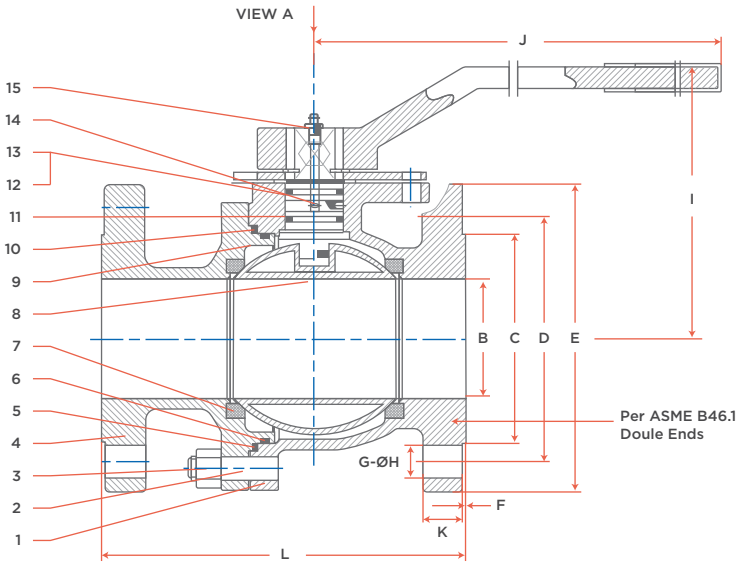


The graph lines represent the maximum pressure/temperature rating of the seat material. When selecting a seat material, the lower rating between the valve body and seat should be considered. For more information please consult factory.

Carbon Steel  
WCB  
ASME B16.34 Ratings

# DIMENSIONS

## CLASS 150



VALVE MATERIAL LIST		
No.	DESCRIPTION	MATERIAL
1	BODY	ASTM A-216 Gr. WCB
2	BODY STUD	ASTM A-193 Gr. B7M
3	BODY NUT	ASTM A-194 Gr. 2HM
4	ADAPTER	ASTM A-216 Gr. WCB
5	BODY GASKET	SS304 + GRAPHITE
6	BODY SEAL	HNBR 90
7	SEAT	PTFE + 15% GF
8	BALL	ASTM A-276 Gr. 316
9	STEM	ASTM A-276 Gr. 316
10	THRUST WASHER	PTFE
11	STEM SEAL	HNBR 90
12	ANTI STATIC SPRING	SS304
13	ANTI STATIC BALL	SS304
14	GASKET	PTFE
15	GREASE ZERIK	CARBON STEEL
16	HANDLE SCREW	CARBON STEEL
17	STOP PLATE	CARBON STEEL + NICKEL
18	HANDLE SCREW	ASTM A-395 Gr. 60-40-18
19	SNAP RING	SPRING STEEL
20	STOP SCREW	CARBON STEEL

VALVE DIMENSIONS & WEIGHTS																			
SIZE		B	C	D	E	F	G	ØH	I	J	K	L	M	O	K1	L1	CV	TORQUE (IN-LB)	WEIGHT (KG)
IN	MM																		
1"	25	1.00	2.01	3.13	4.33	0.06	4.00	0.63	3.68	5.91	0.47	5.00	0.55	0.43	0.28	1.97	98.00	220.00	2.84
1 1/2"	40	1.50	2.83	3.80	4.96	0.06	4.00	0.63	4.53	8.19	0.59	6.50	0.71	0.55	0.31	1.97	209.00	480.00	5.56
2"	50	1.93	3.62	4.75	6.00	0.06	4.00	0.75	5.91	12.00	0.69	7.00	0.87	0.55	1/4 - 20	1.97	454.00	600.00	12.03
2 1/2"	65	2.56	4.13	5.50	7.09	0.06	4.00	0.75	6.32	12.00	0.71	7.52	0.87	0.55	1/4 - 20	1.97	381.00	840.00	15.00
3"	80	2.91	5.00	6.00	7.50	0.06	4.00	0.75	6.88	14.00	0.88	8.00	1.24	0.87	5/16 - 18	2.75	1197.00	1080.00	21.02
4"	100	3.94	6.18	7.50	9.00	0.06	8.00	0.75	9.11	21.70	0.88	9.00	1.37	0.95	3/8 - 16	4.01	2323.00	1560.00	35.05
6"	150	5.91	8.50	9.50	10.98	0.06	8.00	0.88	12.32	31.50	0.94	15.50	1.58	1.06	0.71	6.50	5438.00	7500.00	66.08
8"	200	7.91	10.63	11.75	13.58	0.06	8.00	0.88	14.37	39.40	1.06	18.00	1.97	1.42	0.87	6.50	8333.00	12000.00	100.00
10"	250	9.92	12.76	14.25	15.94	0.06	12.00	12.00	16.34	76.60	1.12	20.98	1.97	1.42	0.87	6.50	17037.00	23000.00	184.78

\*WEIGHT IS ESTIMATED

\*ALL DIMENSIONS ARE EXPRESSED IN INCHES



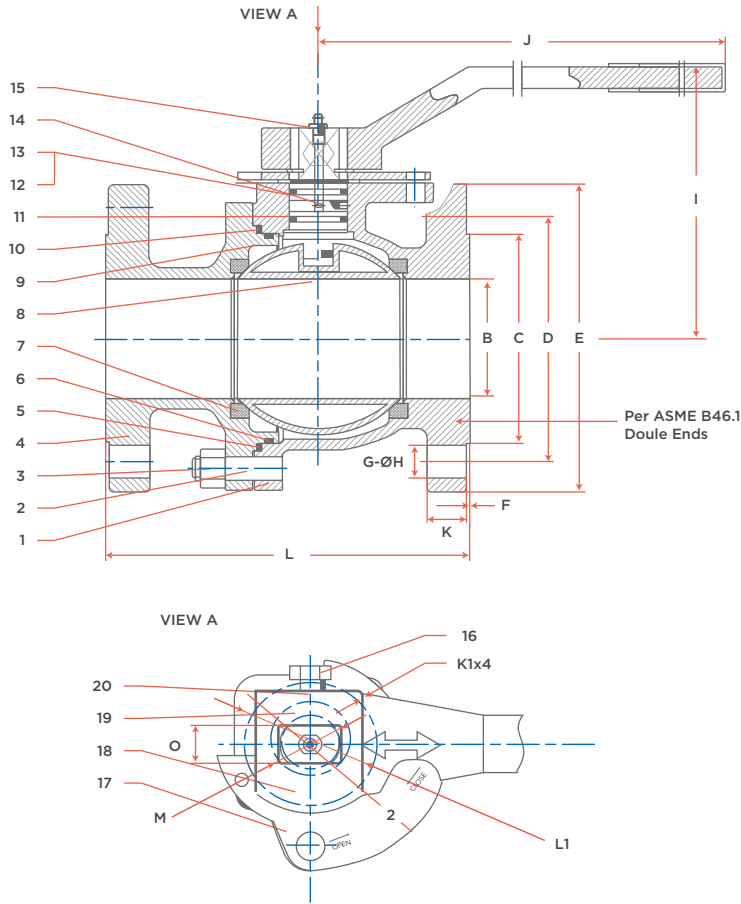
Scan the QR CODE to see our available studs and gasket.



Scan the QR CODE to see our gear operators information.

# DIMENSIONS

## CLASS 300



VALVE MATERIAL LIST		
No.	DESCRIPTION	MATERIAL
1	BODY	ASTM A-216 Gr. WCB
2	BODY STUD	ASTM A-193 Gr. B7M
3	BODY NUT	ASTM A-194 Gr. 2HM
4	ADAPTER	ASTM A-216 Gr. WCB
5	BODY GASKET	SS304 + GRAPHITE
6	BODY SEAL	HNBR 90
7	SEAT	CPFTE
8	BALL	ASTM A-276 Gr. 316
9	STEM	ASTM A-276 Gr. 316
10	THRUST WASHER	PTFE
11	STEM SEAL	HNBR 90
12	ANTI STATIC SPRING	SS304
13	ANTI STATIC BALL	SS304
14	GASKET	PTFE
15	GREASE ZERIK	CARBON STEEL
16	HANDLE SCREW	CARBON STEEL
17	STOP PLATE	CARBON STEEL + NICKEL
18	HANDLE SCREW	ASTM A-395 Gr. 60-40-18
19	SNAP RING	SPRING STEEL
20	STOP SCREW	CARBON STEEL

VALVE DIMENSIONS & WEIGHTS																			
SIZE		B	C	D	E	F	G	ØH	I	J	K	L	M	O	K1	L1	CV	TORQUE (IN-LB)	WEIGHT (KG)
IN	MM																		
2"	50	1.93	3.62	5.00	6.50	0.06	8.00	0.75	5.91	12.00	0.83	8.50	0.87	0.55	1/4 - 20	1.97	454.00	720.00	15.03
3"	80	2.91	5.00	6.63	8.27	0.06	8.00	0.87	6.88	20.00	1.06	11.14	1.24	0.87	5/16 - 18	2.75	1197.00	1700.00	32.00
4"	100	3.94	6.18	7.87	10.00	0.06	8.00	0.87	9.11	21.70	1.19	12.01	1.37	0.95	3/8 - 16	4.01	2323.00	2160.00	48.04
6"	150	5.91	8.50	10.63	12.52	0.06	12.00	0.87	12.52	31.50	1.38	15.87	1.58	1.06	0.71	6.50	5438.00	12000.00	87.08
8"	200	7.91	10.63	13.00	14.96	0.06	12.00	1.02	14.37	39.40	1.56	19.76	1.97	1.42	0.87	6.50	8333.00	27000.00	145.15

\*WEIGHT IS ESTIMATED

\*ALL DIMENSIONS ARE EXPRESSED IN INCHES



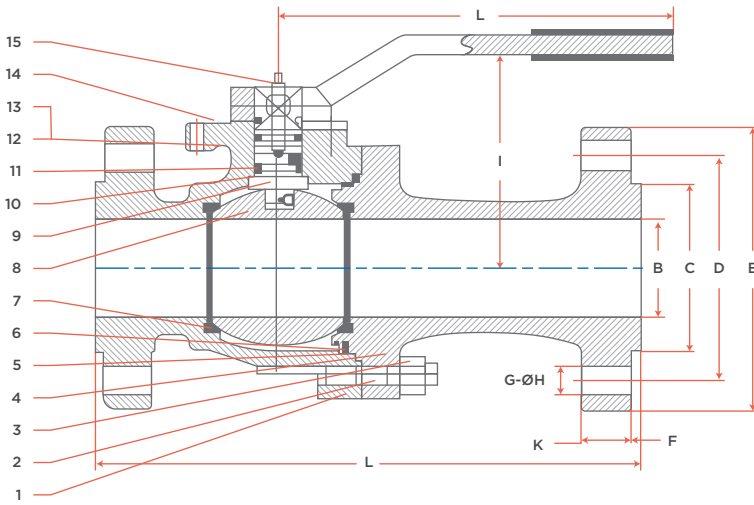
< Scan the QR CODE to see our available studs and gasket.



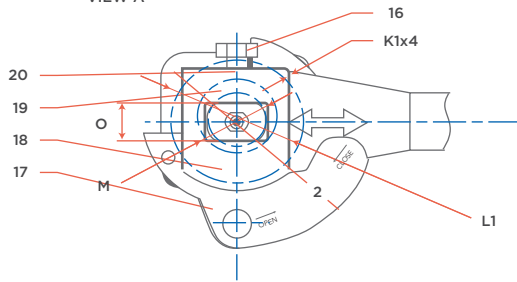
< Scan the QR CODE to see our gear operators information.

# DIMENSIONS

VIEW A ↓



VIEW A



## VALVE MATERIAL LIST

No.	DESCRIPTION	MATERIAL
1	BODY	ASTM A-216 Gr. WCB
2	BODY STUD	ASTM A-193 Gr. B7M
3	BODY NUT	ASTM A-194 Gr. 2HM
4	ADAPTER	ASTM A-216 Gr. WCB
5	BODY GASKET	SS304 + GRAPHITE
6	BODY SEAL	HNBR 90
7	SEAT	DEVLON
8	BALL	ASTM A-276 Gr. 316
9	STEM	ASTM A-276 Gr. 316
10	THRUST WASHER	PTFE
11	STEM SEAL	HNBR 90
12	ANTI STATIC SPRING	SS304
13	ANTI STATIC BALL	SS304
14	GASKET	PTFE
15	GREASE ZERIK	CARBON STEEL
16	HANDLE SCREW	CARBON STEEL
17	STOP PLATE	CARBON STEEL + NICKEL
18	HANDLE SCREW	ASTM A-395 Gr. 60-40-18
19	SNAP RING	SPRING STEEL
20	STOP SCREW	CARBON STEEL

## VALVE DIMENSIONS & WEIGHTS

SIZE		B	C	D	E	F	G	ØH	I	J	K	L	M	O	K1	L1	CV	TORQUE (IN-LB)	WEIGHT (KG)
IN	MM																		
2"	50	1.93	3.62	5.00	6.50	0.06	8.00	0.75	5.91	12.00	1.00	11.50	0.87	0.55	1/4 -20	1.97	454.00	1200.00	20.11
3"	80	2.91	5.00	6.63	8.27	0.06	8.00	0.87	6.88	20.00	1.25	14.00	1.24	0.87	5/16 -18	2.75	1197.00	2160.00	40.00
4"	100	3.94	6.18	8.50	10.00	0.06	8.00	1.00	9.11	31.50	1.50	17.00	1.37	0.95	3/8 -16	4.01	2323.00	2900.00	72.05

\*WEIGHT IS ESTIMATED

\*ALL DIMENSIONS ARE EXPRESSED IN INCHES



Scan the QR CODE to see our available studs and gasket.



Scan the QR CODE to see our gear operators information.