

We at D-LINE® have dedicated ourselves to provide the highest quality products to meet our customers expectations. D-LINE® “Y” strainers are designed to cover from the most standard application to the most rigorous application industry. **ST64** series offers carbon & stainless steel bodies with 300 series stainless steel straining element to cover the industries demands. Designed to strain elements from liquids, steam, gas and air in order to prevent particles from flowing further downstream and then causing damage to equipment or components of equipment. “Y” strainers can be easily cleaned-out in order to cause much less disruption to the flow.

## MATERIAL APPLICATIONS

### CARBON STEEL BODY

Performs exceptionally well in high temperatures up to 800 °F. It provides high resistance to shock, vibration, piping strains and fire and freezing hazard. Carbon steel strainers are often used in the oil and petrochemical industries.

### STAINLESS STEEL BODY

Commonly specified for high temperatures service, up to 1000°F. It provides high corrosion resistance. Stainless steel strainers are commonly used for the chemical, food, and pharmaceutical industries.

## DESIGN FEATURES

### • LARGE STRAINING CAPACITY

D-LINE®’s **ST64** strainer has a large body and sizable straining element that provides excellent open area ratios that are typically 2.5 times than the corresponding pipeline.

### • PRECISION MACHINED SEATS

Screen seats are precisely machined in both body and cap to ensure accurate positioning of the screen during reassembly after cleaning. Also, the machined body seats enable finer filtration by preventing debris bypass.

### • SELF-CLEANING CAPABILITY

With a tapped npt blow-off connection, this unit can be fitted with a blow-down valve which facilitates cleaning of the straining element.

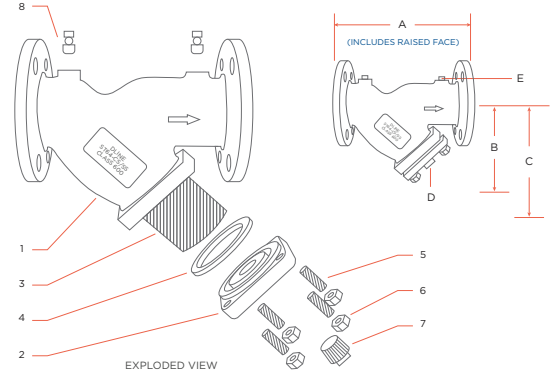
### • GAUGE TAPS DESIGN

D-LINE®’s **ST64** has convenient gauge taps furnished with a plug on both sides (inlet and outlet) of sizes 2” through 12”. these taps allow for easy installation of pressure gauges to monitor differential.

# DIMENSIONS

MATERIAL LIST (1)			
No.	DESCRIPTION	ST64-CS	ST64-SS
1	BODY	A216 GR. WCB	A351 GR. CF8M
2	COVER	A216 GR. WCB	A351 GR. CF8M
3	STRAINING ELEMENT	SS 304	SS 304
4	GASKET (2)	SS 304 W/GRAPHITE	SS 304 W/GRAPHITE
5	STUDS	A193 GR. B7	A193 GR. B7
6	NUTS	A194 GR. 2H	A193 GR. 2H
7	NPT PLUG (BLOW-OFF)	CS	SS
8	NPT PLUG (GAUGE TAPS) (3)	CS	SS

1. Bill of material represents standard materials, equivalent or better materials maybe substituted at the manufacture's discretion.  
 2. Denotes recommended spare parts.  
 3. Part number 8 (NPT PLUG - GAUGE TAPS) are only for sizes 2"-12"



DIMENSIONS & WEIGHTS							
SIZE	A	B	C	D	E	WEIGHT (KG)	FLOW COEFFICIENT (Cv)
2"	11.00	7.00	10.00	0.50	0.25	32.00	70
2-1/2"	12.00	8.25	12.50	1.00	0.25	50.00	110
3"	13.50	9.25	14.50	1.00	0.25	65.00	160
4"	17.93	12.50	19.50	1.50	0.25	125.00	260
5"	22.25	15.00	23.00	2.00	0.25	254.00	400
6"	25.62	20.00	31.00	2.00	0.25	304.00	570
8"	31.75	24.00	38.50	2.00	0.25	526.00	950
10"	37.68	28.50	45.50	2.00	0.25	1090.00	1600
12"	41.00	29.31	44.00	2.00	0.25	1558.00	2200

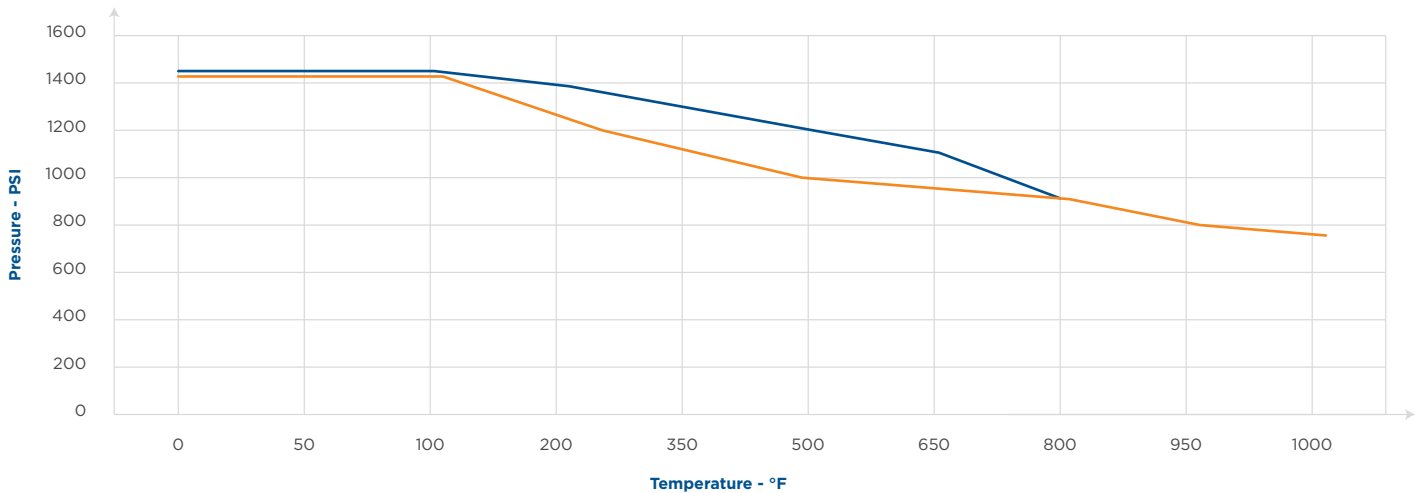
1. Dimensions and weights are for reference only.  
 2. Face to face dimension includes raised face. These values have a tolerance of  $\pm 0.06$  in ( $\pm 2.0$  mm) for sizes 10" and lower and a tolerance of  $\pm 0.12$  in ( $\pm 3.0$  mm) for sizes 12" and larger.  
 3. Dimensions are expressed in inches.

## PRESSURE-TEMPERATURE RATINGS

Carbon Steel A216 Gr. WCB ASME Class 600  
 Not recommended for prolonged use above 800°F

Stainless Steel A351 Gr. CF8M ASME Class 600  
 Not recommended for prolonged use above 1000°F

This chart displays the pressure-temperature ratings for the strainer's body material per ASME/ANSI B 16.5-1996



REFERENCES STANDARDS & CODES	
CODE	DESCRIPTION
ASME B16.34	VALVE PRESSURE-TEMPERATURE RATINGS
ANSI/ASME B16.5	FLANGE DIMENSIONS

PRESSURE-TEMPERATURE RATINGS (NON SHOCK)		
CODE	ASTM A-216 GR. WCB	ASTM A-351 GR. WCB
WOG (NON-SHOCK)	1480 PSI @ 100° F	1440 PSI @ 100° F

STANDARD SCREEN SELECTIONS				
SIZE	LIQUID	OPEN AREA	STEAM	OPEN AREA
1/2" - 4"	1/16"	41%	1/32"	28%
5" - 8"	1/8"	40%	3/64"	36%
10" - 12"	1/8"	40%	30 MESH	44.8%

LIQUID SCREEN PERFORMANCE AS STANDARDS FOR OTHER SCREEN PERFORMANCE PLEASE CONSULT FACTORY.