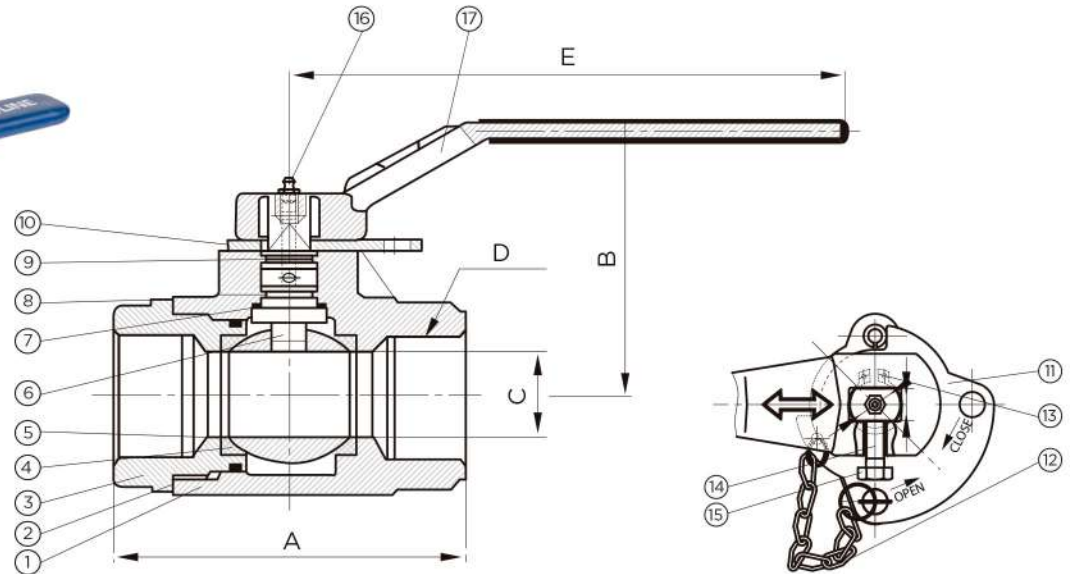


2000 PSI DUCTILE IRON BODY 2 PC RP BALL VALVE



FEATURES

SIZE:	2" - 4"
PORT:	REDUCED
PRESSURE:	1000 & 2000 WOG
TEMPERATURE:	-49 TO 450 F°
CONNECTION:	FEMALE NPT

TEST SPECIFICATION

TEST ACCORDANCE TO PER	API 598
NOMINAL PRESSURE:	1000 & 2000 PSI
SHELL TEST (WATER):	1500 & 3000 PSI
SEAT TEST (WATER):	1100 & 2200 PSI
AIR TEST:	116 PSI

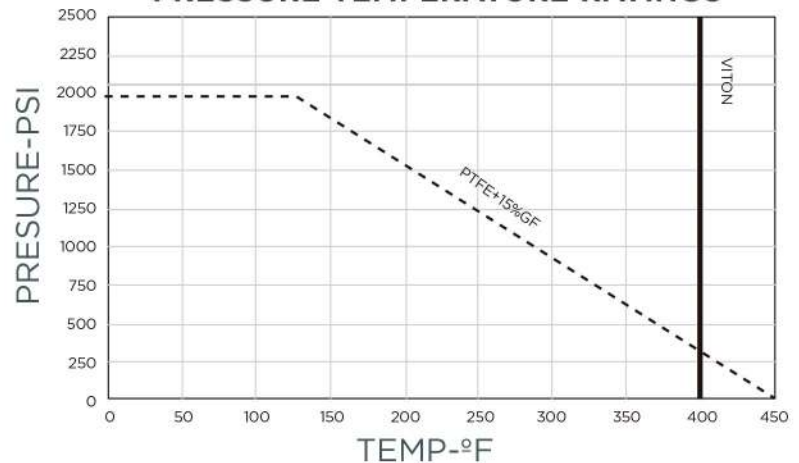
TECHNICAL SPECIFICATION

NPT THREADS AS PER	ASME B1.20.1
BLOW-OUT-PROOF STEM DESIGN	
IN COMPLIANCE WITH	NACE MR-0175
SUITABLE FOR	WATER, OIL & GAS

MATERIAL LIST

ITEM NO.	DESCRIPTION	MATERIAL
1	BODY	ASTM A-395 Gr. DI
2	BODY SEAL	VITON
3	ADAPTER	ASTM A-395 Gr. DI
4	SEAT	PTFE + 15% GLASS FILLED (RPTFE)
5	BALL	SS420
6	STEM	ASTM A-276 Gr. 420
7	THRUST BEARING	PTFE
8	FIRST STEM SEAL	VITON
9	SECOND STEM SEAL	VITON
10	STEM BEARING	PTFE
11	STOP PLATE	STEEL PLATE
12	PIN WITH CHAIN	STAINLESS STEEL
13	RETAINER RING	SPRING STEEL
14	STOP PIN	SPRING STEEL
15	HEXAGONAL BOLTS	CARBON STEEL
16	GREASE ZERK	CARBON STEEL
17	HANDLE	DUCTIL IRON

PRESSURE TEMPERATURE RATINGS

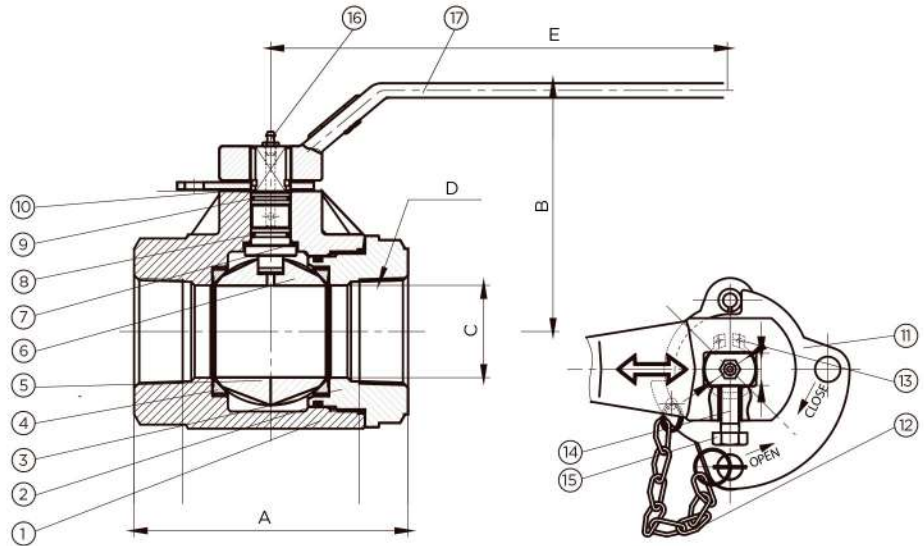


DIMENSIONS, WEIGHT & TORQUE

MODEL	SIZE	A	B	C	D	E	TORQUE (IN.LB)	WEIGHT (KG)	PRESSURE (WOG)
BDT2-09	2"	5.51	5.59	1.50	11.5 NPT	8.54	1200.00	5.13	2000
BDT2-11	3"	7.44	5.53	2.05	8 NPT	10.00	1625.00	8.83	2000
BDT2-12	4"	8.70	6.85	2.99	8 NPT	13.50	2155.00	15.96	1000

*TORQUE IS REPRESENTED AT FULL RATED PRESSURE
*DIMENSIONES ARE EXPRESSED IN INCHES

2000 PSI DUCTILE IRON BODY 2 PC FP BALL VALVE



FEATURES

SIZE:	1"
PORT:	FULL
PRESSURE:	2000 WOG
TEMPERATURE:	-49 TO 450 F°
CONNECTION:	FEMALE NPT

TEST SPECIFICATION

TEST ACCORDANCE TO PER	API 598
NOMINAL PRESSURE:	2000 PSI
SHELL TEST (WATER):	3000 PSI
SEAT TEST (WATER):	2200 PSI
AIR TEST:	116 PSI

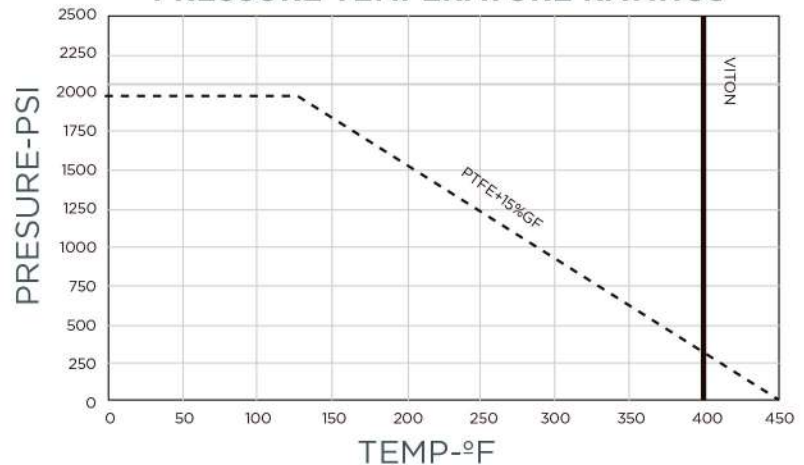
TECHNICAL SPECIFICATION

NPT THREADS AS PER	ASME B1.20.1
BLOW-OUT-PROOF STEM DESIGN	
IN COMPLIANCE WITH	NACE MR-0175
SUITABLE FOR	WATER, OIL & GAS

MATERIAL LIST

1	BODY	ASTM A-395 Gr. DI
2	BODY SEAL	VITON
3	ADAPTER	ASTM A-395 Gr. DI
4	SEAT	PTFE + 15% GLASS FILLED (RPTFE)
5	BALL	SS420
6	STEM	ASTM A-276 Gr. 420
7	THRUST BEARING	PTFE
8	FIRST STEM SEAL	VITON
9	SECOND STEM SEAL	VITON
10	STEM BEARING	PTFE
11	STOP PLATE	STEEL PLATE
12	PIN WITH CHAIN	STAINLESS STEEL
13	RETAINER RING	SPRING STEEL
14	STOP PIN	SPRING STEEL
15	HEXAGONAL BOLTS	CARBON STEEL
16	GREASE ZERK	CARBON STEEL
17	HANDLE	DUCTIL IRON

PRESSURE TEMPERATURE RATINGS



DIMENSIONS, WEIGHT & TORQUE

MODEL	SIZE	A	B	C	D	E	TORQUE (IN.LB)	WEIGHT (KG)
BDT2-06	1"	4.02	3.39	1.00	11.5 NPT	6.57	750.00	1.93

*TORQUE IS REPRESENTED AT FULL RATED PRESSURE
*DIMENSIONES ARE EXPRESSED IN INCHES