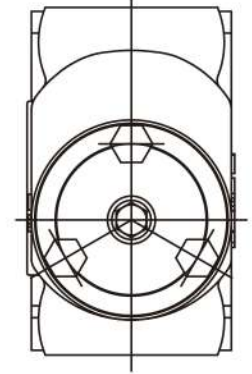
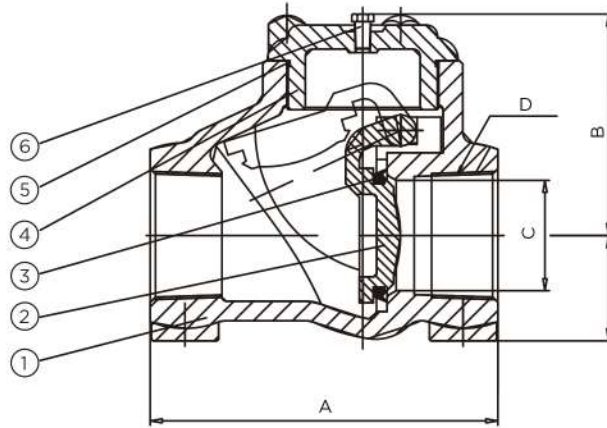


## CARBON STEEL BODY FULL PORT CHECK VALVE



### FEATURES

SIZE:	1" - 2"
PORT:	FULL
PRESSURE:	3600 & 5000 WOG
TEMPERATURE:	0 TO 400° F
CONNECTION:	FEMALE NPT

### TEST SPECIFICATION

TEST ACCORDANCE TO PER	API 598
NOMINAL PRESSURE:	3200 & 5000 PSI
SHELL TEST (WATER):	5400 & 7500 PSI
SEAT TEST (WATER):	4000 & 5500 PSI
AIR TEST:	116 PSI

### TECHNICAL SPECIFICATION

NPT THREADS AS PER	ASME B1.20.1
FULL OPENING	
IN COMPLIANCE WITH	NACE MR-0175
SUITABLE FOR	WATER, OIL & GAS

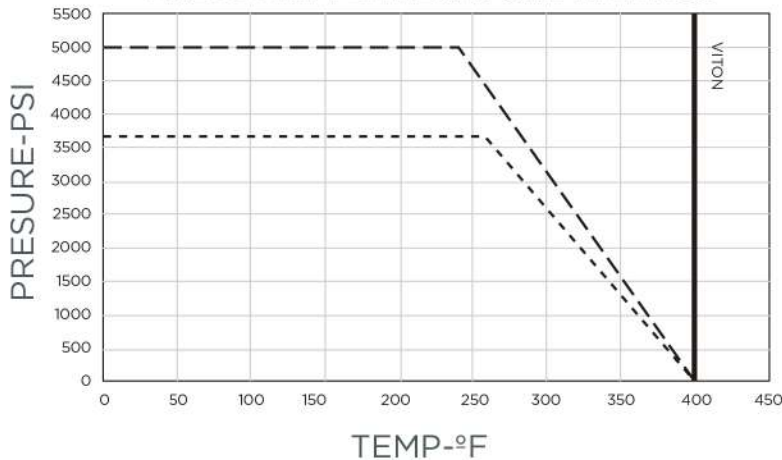
### DIMENSIONS, WEIGHT & TORQUE

MODEL	SIZE	A	B	C	D	WEIGHT (KG)	PRESSURE
CCT3-06	1"	4.72	3.07	1.00	11.5 NPT	2.38	3600 WOG
CCT3-09	2"	6.30	4.06	2.00	11.5 NPT	5.53	3600 WOG
CCT5-09	2"	6.30	4.06	2.05	11.5 NPT	6.31	5000 WOG

### MATERIAL LIST

NO.	DESCRIPTION	MATERIAL
1	BODY	ASTM A-216 Gr. WCB
2	DISC	ASTM A-351 Gr. CF8M
3	SEAL	VITON
4	BONNET	ASTM A-216 Gr. WCB
5	O-RING	VITON
6	BONNET SCREW	CARBON STEEL

### PRESSURE TEMPERATURE RATINGS



\*DIMENSIONES ARE EXPRESSED IN INCHES